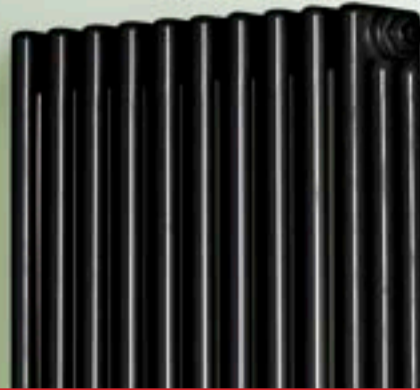


NIKO  
HEATING



# HEATING COLLECTION

In tune with your lifestyle



The cover of this brochure  
has been treated with an  
antibacterial resurfacing  
agent

2021





Niko Heating have a collection of high quality heating products and plumbing fittings, carefully chosen for Irish consumers. The Heating Collection has been carefully selected based on over thirty years of Customer Service, Quality, and Product Knowledge.

Our comprehensive radiator range combined with nationwide delivery and backup make us the number one choice for the Heating and Plumbing trade in Ireland. We distribute our products throughout Ireland via a network of selected quality stockists.

#### **Our Ranges**

<b>Revive</b>	<b>04</b>
Column Vertical & Horizontal	
<b>Elva</b>	<b>08</b>
Vertical Flat Panel	
<b>Valerie</b>	<b>10</b>
Vertical Flat Panel	
<b>Towel Warmers</b>	<b>12</b>
Designer radiators to suit your home	
<b>Mariah</b>	<b>20</b>
Dual Column Mirror Radiator	
<b>Rua</b>	<b>22</b>
Designer Flat Panel	
<b>Sara</b>	<b>24</b>
Vertical Panel Radiators	
<b>Imas Decor</b>	<b>27</b>
Compact Radiator Range	
<b>Imas</b>	<b>29</b>
Compact Radiator Range	
<b>Radiator Valves</b>	<b>34</b>
<b>Technical Specifications</b>	<b>38</b>

# REVIVE

Column Vertical & Horizontal



## REVIVE

A collection of complete

These radiators can be

The W... period... modern

U2150

U2180

U2180

U2200

U2200

U2180

U2200

U2180

U2200

## REVIVE

U3180

U3200

U3180

U3200

## REVIVE 2 COLUMN VERTICAL

A collection of column radiators made to the highest standards to provide complete customer satisfaction.

These radiators are stylish replacements for standard panel radiators, and can be arranged in similar positions, with minimum disruption.

The White and Black models fit timelessly in both contemporary and period interiors, while the Raw Metal design adds a striking touch to any modern or retro interior.

	Colour	Height (mm)	Width (mm)	BTU	Watts	Pipe Centres	
U2150-8	White	1500	398	2839	832	488	€435
U2180-8	White	1800	398	3385	992	488	€498
U2180-10	White	1800	490	4231	1240	580	€625
U2200-8	White	2000	398	3767	1104	488	€551
U2200-10	White	2000	490	4709	1380	580	€726
U2180-10-RM	Raw Metal	1800	490	4231	1240	580	€726
U2200-10-RM	Raw Metal	2000	490	4709	1380	580	€769
U2180-10-BK	Black	1800	490	4231	1240	580	€726
U2200-10-BK	Black	2000	490	4709	1380	580	€769

### VALVE RECOMMENDATION

Our valve recommendation is a 1/2" Bentley Thermostatic Radiator Valve Lock-Shield Pack in Black Nickel.

Code EV- B15BN

See our full valve section for more options - starting on page 35.

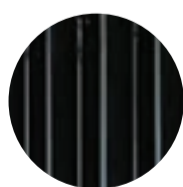


## REVIVE 3 COLUMN VERTICAL

	Colour	Height (mm)	Width (mm)	BTU	Watts	Pipe Centres	
U3180-10	White	1800	490	5664	1660	580	€959
U3200-10	White	2000	490	6244	1830	580	€959
U3180-10-RM	Raw Metal	1800	490	5664	1660	580	€1,171
U3200-10-RM	Raw Metal	2000	490	6244	1830	580	€1,240



Raw Metal

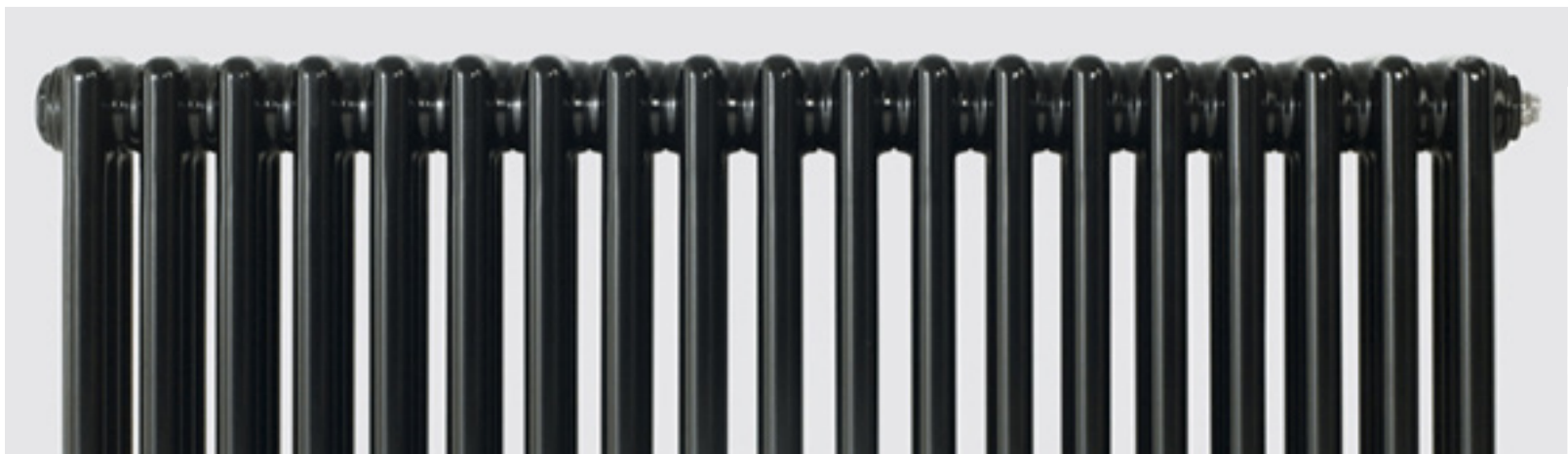


Black



White





## REVIVE 3 COLUMN HORIZONTAL

	Colour	Height (mm)	Width (mm)	BTU	Watts	Pipe Centres	
U3030-19	White	300	904	2074	608	994	€519
U3030-25	White	300	1180	2730	800	1270	€673
U3030-32	White	300	1502	3494	1024	1592	€837
U3030-36	White	300	1686	3931	1152	1776	€928
U3030-19-RM	Raw Metal	300	904	2074	608	994	€652
U3030-25-RM	Raw Metal	300	1180	2730	800	1270	€859
U3030-32-RM	Raw Metal	300	1502	3494	1024	1592	€1,071
U3030-36-RM	Raw Metal	300	1686	3931	1152	1776	€1,193
U3045-19	White	450	904	3034	889	994	€525
U3045-25	White	450	1180	3992	1170	1270	€678
U3045-32	White	450	1502	5110	1498	1592	€859
U3045-36	White	450	1686	5749	1685	1776	€933
U3045-19-RM	Raw Metal	450	904	3034	889	994	€689
U3045-25-RM	Raw Metal	450	1180	3992	1170	1270	€906
U3045-32-RM	Raw Metal	450	1502	5110	1498	1592	€1,129
U3045-36-RM	Raw Metal	450	1686	5749	1685	1776	€1,261
U3060-9	White	600	440	1870	548	530	€366
U3060-13	White	600	628	2701	792	718	€456
U3060-19	White	600	904	3948	1157	994	€615
U3060-25	White	600	1180	5195	1523	1270	€832
U3060-32	White	600	1502	6649	1949	1592	€1,039
U3060-36	White	600	1686	7480	2192	1776	€1,155
U3060-9-RM	Raw Metal	600	440	1870	548	530	€514
U3060-13-RM	Raw Metal	600	628	2701	792	718	€541
U3060-19-RM	Raw Metal	600	904	3948	1157	994	€747
U3060-25-RM	Raw Metal	600	1180	5195	1523	1270	€981
U3060-32-RM	Raw Metal	600	1502	6649	1949	1592	€1,240
U3060-36-RM	Raw Metal	600	1686	7480	2192	1776	€1,389
U3060-13-BK	Black	600	628	2701	792	718	€541
U3060-19-BK	Black	600	904	3948	1157	994	€747
U3060-25-BK	Black	600	1180	5195	1523	1270	€981
U3060-32-BK	Black	600	1502	6649	1949	1592	€1,240
U3060-36-BK	Black	600	1686	7480	2192	1776	€1,389

### VALVE RECOMMENDATION

Our valve recommendation is a 1/2" Bentley Thermostatic Radiator Valve Lock-Shield pack in Black Nickel.

Code EV-B15C

See our full valve section for more options - starting on page 35.



Note. Additional sizes available to order



## Radiator Feet

Although radiator feet create the appearance of a free-standing radiator, they only support its weight, so you will still need to use the wall brackets supplied. Available in Black, Raw Metal and White. Height 100mm.



**UCRFW** €117  
Revive Column Radiator Feet White (pack of 2 feet)



**UCRFBK** €148  
Revive Column Radiator Feet Black (pack of 2 feet)



**UCRFM** €148  
Revive Column Radiator Feet Raw Metal (pack of 2 feet)

# VALERIE

Vertical Flat Panel Radiators



**VA**

The va  
home  
blend

VFP4  
VFP5  
VFP6

VFP4  
VFP5  
VFP6

**VA**

VFP4  
VFP5  
VFP6

VFP4  
VFP5  
VFP6

**VALV**

Our va  
Angled

Code H

See ou  
starting



## VALERIE – FLAT PANEL SINGLE

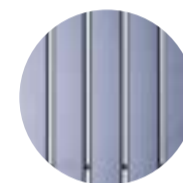
The vertical flat panel radiators are the ultimate space saver in any home. These radiators are strikingly stylish yet highly practical, blending into both period and modern interiors.

	Colour	Height (mm)	Width (mm)	BTU	Watts	Pipe Centres	
VFP418W	White	1800	450	3253	953	540	€429
VFP518W	White	1800	525	3795	1112	615	€445
VFP620W	White	2000	600	4786	1403	690	€514

	Colour	Height (mm)	Width (mm)	BTU	Watts	Pipe Centres	
VFP418A	Anthracite	1800	450	3253	953	540	€530
VFP518A	Anthracite	1800	525	3795	1112	615	€567
VFP620A	Anthracite	2000	600	4786	1403	690	€615



White



Anthracite

## VALERIE – FLAT PANEL DOUBLE

	Colour	Height (mm)	Width (mm)	BTU	Watts	Pipe Centres	
VFP418WDP	White	1800	452	6304	1848	542	€472
VFP518WDP	White	1800	525	7354	2155	615	€514
VFP620WDP	White	2000	600	8764	2569	690	€636

	Colour	Height (mm)	Width (mm)	BTU	Watts	Pipe Centres	
VFP418ADP	Anthracite	1800	452	6304	1848	542	€583
VFP518ADP	Anthracite	1800	525	7354	2155	615	€657
VFP620ADP	Anthracite	2000	600	8764	2569	690	€742



### VALVE RECOMMENDATION

Our valve recommendation is the 1/2" Minimalist Angled Radiator Valve in Silver Nickel.

Code HP15SN

See our full valve section for more options - starting on page 35.



WRF €27

Valerie Radiator Feet White (pack of 2 feet)

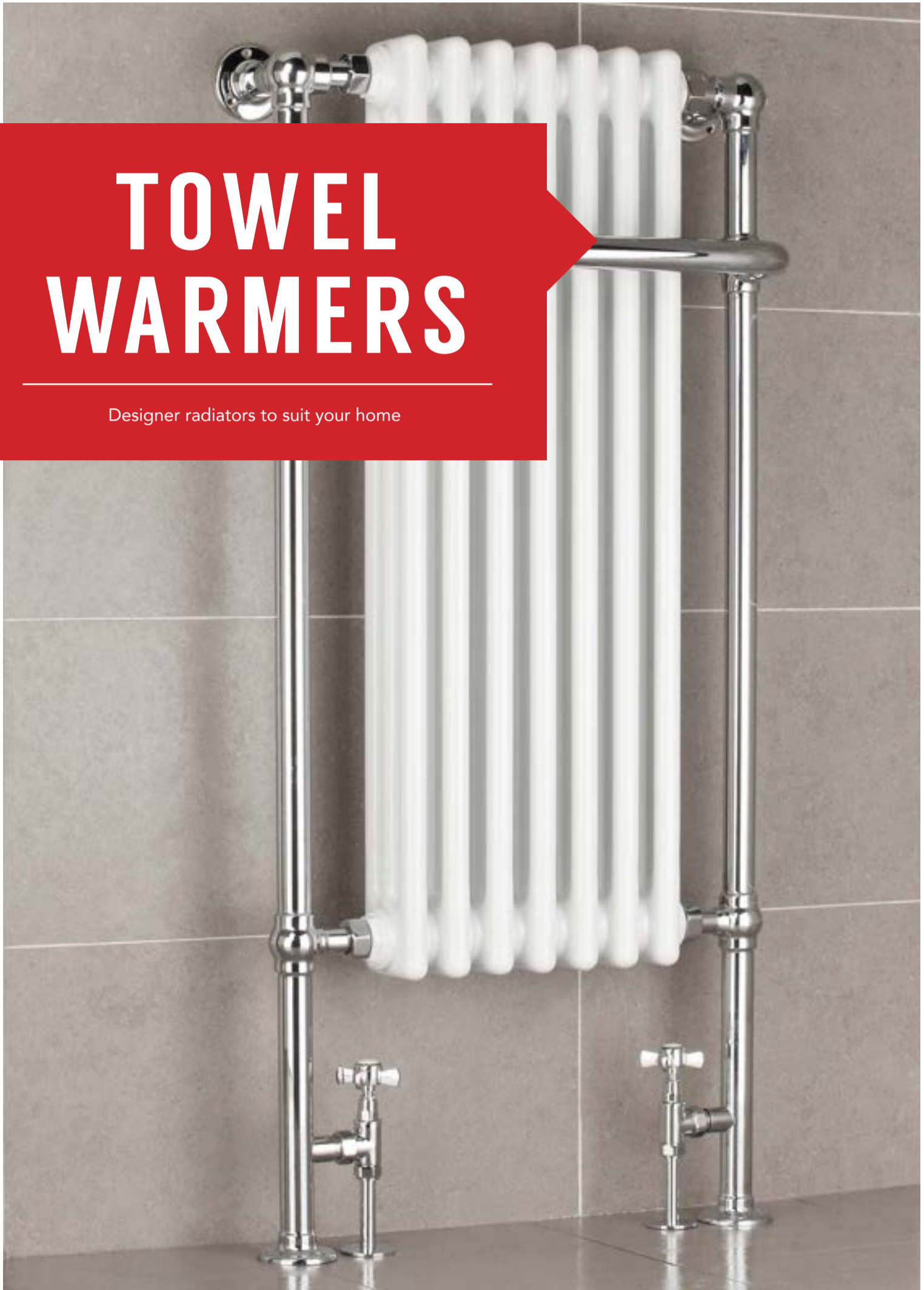


ARF €27

Valerie Radiator Feet Anthracite (pack of 2 feet)

# TOWEL WARMERS

Designer radiators to suit your home



TO

TWA

Adare  
Chrom  
H: 96  
Outp  
Pipe  
Watts

TWV

Cash  
Chrom  
H: 96  
Outp  
Pipe  
Watts

## TOWEL WARMERS



**TWA** €459

Adare Traditional Towel Warmer  
 Chrome & White  
 H: 963mm W: 493mm  
 Output: 2215 BTU/hr  
 Pipe Centre: 275mm  
 Watts: 649



**TWE** €719

Avoca Traditional Towel Warmer  
 Chrome & White  
 H: 1130mm W: 553mm  
 Output: 3275 BTU/hr  
 Pipe Centre: 335mm  
 Watts: 960



**TWHTW** €649

Branwell Wall Hung Towel Warmer  
 Chrome & White  
 H: 1000mm W: 630mm  
 Output: 3780 BTU/hr  
 Pipe Centers: 525mm  
 Watts: 1108



**TWW** €529

Cashel Traditional Towel Warmer  
 Chrome & White  
 H: 963mm W: 675mm  
 Output: 3520 BTU/hr  
 Pipe Centre: 460mm  
 Watts: 1032



**TWWBN** €569

Cashel Traditional Towel Warmer  
 Black Nickel  
 H: 963 mm W: 673mm  
 Output: 3410 BTU/hr  
 Pipe Centre: 445mm  
 Watts: 999

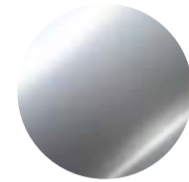


**TWSKY** €442

Skylor Designer Towel Warmer  
 Chrome  
 H: 1100mm W: 500mm  
 Output: 1488 BTU/hr  
 Pipe Centre: 450mm  
 Watts: 436

# STRAIGHT LADDER TOWEL WARMER

	Colour	Height (mm)	Width (mm)	BTU	Watts	Pipe Centres	
TW38S	Chrome	800	300	757	222	250	€119
TW312S	Chrome	1200	300	1098	322	250	€139
TW316S	Chrome	1600	300	1452	426	250	€169
TW48S	Chrome	800	400	870	255	350	€129
TW410S	Chrome	1000	400	1037	304	350	€139
TW412S	Chrome	1200	400	1262	370	350	€159
TW416S	Chrome	1600	400	1668	489	350	€189
TW58S	Chrome	800	500	1030	302	450	€129
TW510S	Chrome	1000	500	1218	357	450	€139
TW512S	Chrome	1200	500	1488	436	450	€159
TW516S	Chrome	1600	500	1965	576	450	€189
TW518S	Chrome	1800	500	2259	662	450	€229
TW68S	Chrome	800	600	1194	350	550	€139
TW610S	Chrome	1000	600	1409	413	550	€149
TW612S	Chrome	1200	600	1726	506	550	€179
TW616S	Chrome	1600	600	2279	668	550	€199
TW618S	Chrome	1800	600	2620	768	550	€249



Chrome



## VALVE RECOMMENDATION

Our valve recommendation is a 1/2" Minimalist Angled Radiator Valve in Chrome.

Code RVCPM

See our full valve section for more options - starting on page 35.





N  
a  
or  
  
more  
.



## CUI

TW58

TW51

TW51

TW68

TW61

TW61

TW57

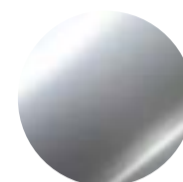
TW51



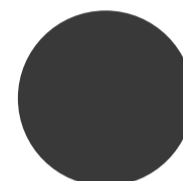


## CURVED LADDER TOWEL WARMER

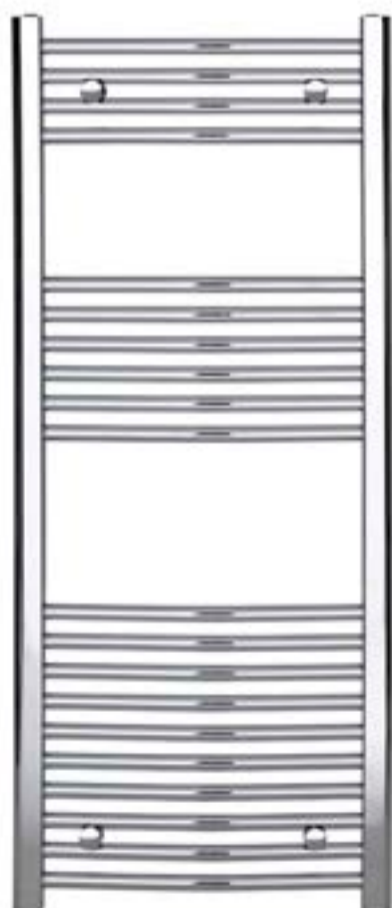
	Colour	Height (mm)	Width (mm)	BTU	Watts	Pipe Centres	
TW58C	Chrome	800	500	1030	302	450	€129
TW512C	Chrome	1200	500	1488	436	450	€159
TW518C	Chrome	1800	500	2259	662	450	€229
TW68C	Chrome	800	600	1194	350	550	€139
TW612C	Chrome	1200	600	1726	506	550	€169
TW618C	Chrome	1800	600	2620	768	550	€249
TW57C	Anthracite	700	500	1143	335	450	€119
TW5115C	Anthracite	1150	500	1855	544	450	€159



Chrome



Anthracite



### VALVE RECOMMENDATION

Our valve recommendation is a 1/2" Minimalist Angled Radiator Valve in Chrome.

Code RVCPM

See our full valve section for more options - starting on page 35.



## ROUND LADDER TOWEL WARMER

	Colour	Height (mm)	Width (mm)	BTU	Watts	Pipe Centres	
TW58SBN	Black Nickel	800	500	1030	302	450	€169
TW512SBN	Black Nickel	1200	500	1488	436	450	€229



Black Nickel



### VALVE RECOMMENDATION

Our valve recommendation is a 1/2" Minimalist Straight Radiator Valves Black Nickel.

Code HP15SBN

See our full valve section for more options - starting on page 35.



SQ

TW58

TW51

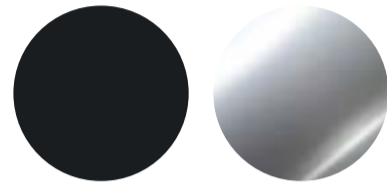
TW58

TW51



# SQUARE LADDER TOWEL WARMER

	Colour	Height (mm)	Width (mm)	BTU	Watts	Pipe Centres	
TW58SQBN	Black Nickel	800	500	918	269	460	€299
TW512SQBN	Black Nickel	1200	500	1493	438	460	€439
TW58SQCP	Chrome	800	500	918	269	460	€219
TW512SQCP	Chrome	1200	500	1493	438	460	€319



Black Nickel

Chrome



1/2"  
ves



more

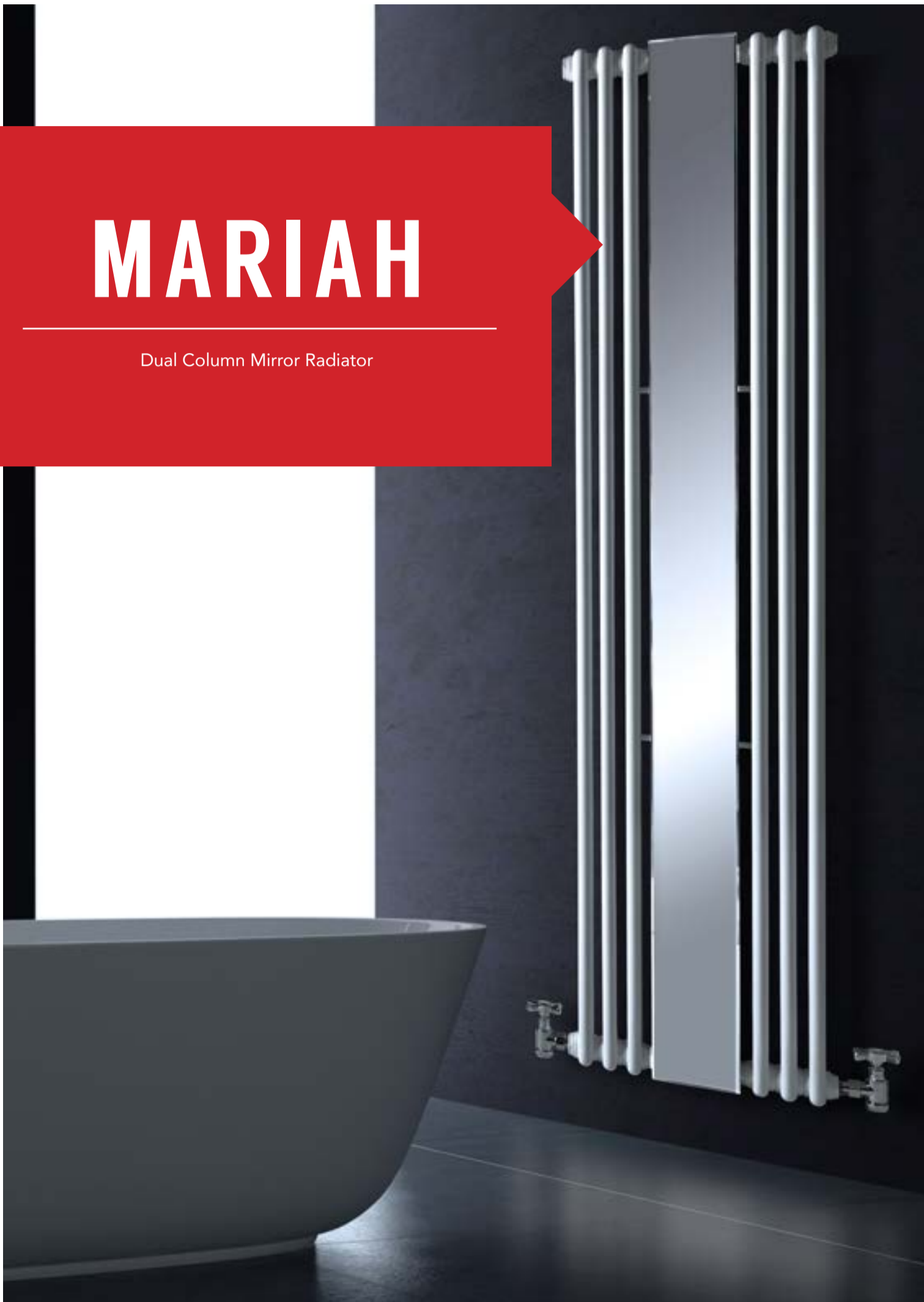
# MARIAH

Dual Column Mirror Radiator

MA

The M  
with st  
striking

DCM



## MARIAH – DUAL COLUMN MIRROR

The Mariah Dual Column Mirror radiator ultimately combines functionality with style, blending seamlessly into any modern or period interior. This strikingly stylish radiator is sure to be the focal point of your room!

	Colour	Height (mm)	Width (mm)	BTU	Watts	Pipe Centres	
DCMR418W	White	1800	450	3252	953	540	€419



### VALVE RECOMMENDATION

Our valve recommendation is a 1/2" Victorian Angled Radiator Valve in Chrome.

Code RVCPV

See our full valve section for more options - starting on page 35.



# RUA

Designer Flat Panel



**RU**

The st  
comes  
in any  
the Ru

DFP4  
DFP5  
DFP6

DFP4  
DFP5  
DFP6

**RU**

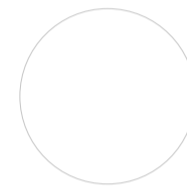
HR50  
HR60  
HR70



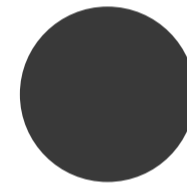
## RUA – DESIGNER FLAT PANEL

The stunning designer flat panel radiators are pushing boundaries when it comes to ultra-modern design. The Rua radiator is the perfect heating solution in any room within the house including the bathroom! Pair this radiator with the Rua towel rail to ultimately transform your bathroom interior!

	Colour	Height (mm)	Width (mm)	BTU	Watts	Pipe Centres	
DFP418W	White	1800	400	1979	580	490	€339
DFP518W	White	1800	500	2474	725	590	€406
DFP618W	White	1800	600	2969	870	690	€489
DFP418A	Anthracite	1800	400	1979	580	490	€339
DFP518A	Anthracite	1800	500	2474	725	590	€409
DFP618A	Anthracite	1800	600	2969	870	690	€489



White



Anthracite

## RUA TOWEL RAIL

	Description	Colour	
HR500	Rua 500mm Towel Rail	Chrome	€59
HR600	Rua 600mm Towel Rail	Chrome	€69
HR700	Rua 700mm Towel Rail	Chrome	€79



### VALVE RECOMMENDATION

Our valve recommendation is the 1/2" Minimalist Corner Radiator Valves in Chrome.

Code C15C

See our full valve section for more options - starting on page 35.



# SARA

Vertical Panel Radiators



**SA**  
**RA**

The Sa  
a smoo  
when p

VFP2  
VFP2

**SA**  
**RA**

VFP3  
VFP3

**SA**

HB41  
HB32

## SARA VERTICAL 3 PANEL ALUMINIUM RADIATOR

The Sara vertical aluminium flat panel delivers functionality, clean lines and a smooth finish making it a stylish radiator that doubles as a towel warmer when paired with the Sara Towel Rail.

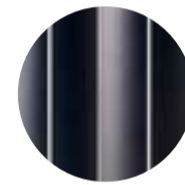
	Colour	Height (mm)	Width (mm)	BTU	Watts	Pipe Centres	
VFP218W	White	1800	280	2475	725	370	€319
VFP218A	Anthracite	1800	280	2475	725	370	€329



White

## SARA VERTICAL 4 PANEL ALUMINIUM RADIATOR

	Colour	Height (mm)	Width (mm)	BTU	Watts	Pipe Centres	
VFP318W	White	1800	375	3300	967	465	€389
VFP318A	Anthracite	1800	375	3300	967	465	€399



Anthracite

## SARA TOWEL RAIL

	Description	Colour	
HB415	Sara 4 Panel Radiator Towel Rail	Chrome	€59
HB320	Sara 3 Panel Radiator Towel Rail	Chrome	€79



### VALVE RECOMMENDATION

Our valve recommendation is the 1/2" Minimalist Corner Radiator Valves in Chrome.

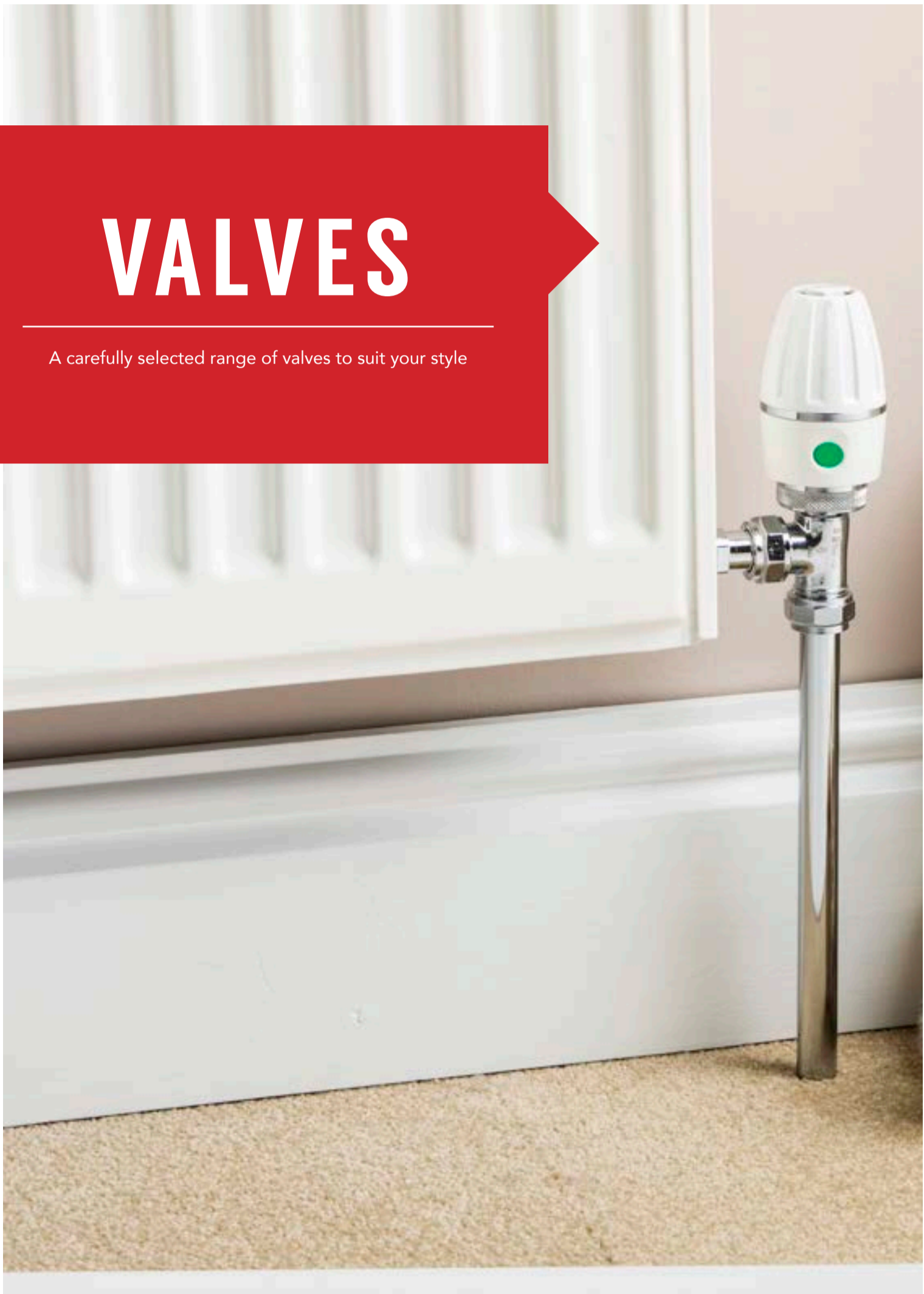
Code C15C

See our full valve section for more options - starting on page 35.



# VALVES

A carefully selected range of valves to suit your style



VGTR  
1/2"  
Radia  
Pack



RVTS  
1/2"  
Therm  
& Loc



BTRV  
Bi-W  
Therm  
& Loc



RVCP  
1/2"  
Radia





**VGTRVP** €14  
1/2" Valogin Thermostatic Radiator Valve & Lock-Shield Pack



**BTRVP** €14  
1/2" Bi-World Thermostatic Radiator Valve & Lock-Shield Pack



**BTRVPGB** €30  
1/2" Bi-World GB Female Thermostatic Radiator Valve & Lock-Shield Pack



**PTRVPACK** €25  
1/2" Pegler Terrier Thermostatic Radiator Valve & Lock-Shield Pack



**RVTS** €60  
1/2" Pegler Terrier Straight Thermostatic Radiator Valve & Lock-Shield Pack



**632329** €69  
1/2" Pegler Angled Thermostatic Radiator Valve & Lock-Shield Pack Chrome



**632330** €130  
1/2" Pegler Straight Thermostatic Radiator Valve & Lock Shield Pack Chrome



**BTRVPAS** €25  
Bi-World Straight Thermostatic Radiator Valve & Lock-Shield Pack



**BTRVPACS** €30  
Bi-World Straight Thermostatic Radiator Valve & Lock-Shield Pack Chrome



**BTRVPAC** €30  
Bi-World Angled Thermostatic Radiator Valve & Lock-Shield Pack Chrome



**RVCP** €15  
1/2" Contract Angled Chrome Radiator Valves (Pair)



**RVSCP** €21  
1/2" Contract Straight Chrome Radiator Valves (Pair)



**RVCPM** €42  
1/2" Minimalist Angled Radiator Valves Chrome (Pair)



**RVSCPM** €42  
1/2" Minimalist Straight Chrome Radiator Valves (Pair)



**BMRVA** €38  
1/2" Modern Angled Radiator Valves Chrome (Pair)



**RVCPV** €54  
1/2" Victorian Angled Radiator Valves Chrome (Pair)



HP15AB €73

1/2" Minimalist Angled Radiator Valves Antique Brass



HP15AC €73

1/2" Minimalist Angled Radiator Valves Antique Copper



HP15BN €73

1/2" Minimalist Angled Radiator Valves Black Nickel



HP15SN €73

1/2" Minimalist Angled Radiator Valves Silver Nickel



HP15SAB €73

1/2" Minimalist Straight Radiator Valves Antique Brass



HP15SAC €73

1/2" Minimalist Straight Radiator Valves Antique Copper



HP15SBN €73

1/2" Minimalist Straight Radiator Valves Black Nickel



HP15SSN €73

1/2" Minimalist Straight Radiator Valves Silver Nickel



C15AB €73

1/2" Minimalist Corner Radiator Valves Antique Brass



C15AC €73

1/2" Minimalist Corner Radiator Valves Antique Copper



C15BN €73

1/2" Minimalist Corner Radiator Valves Black Nickel



C15SN €73

1/2" Minimalist Corner Radiator Valves Silver Nickel



C15C €73

1/2" Minimalist Corner Radiator Valves Chrome



EG251AJ €35

Round Angled Radiator Valves Anthracite



EG251A €40

Round Straight Radiator Valves Anthracite



EG427AJ €40

Square Angled Radiator Valves Anthracite



EG427A €45

Square Angled Radiator Valves Anthracite



EG427J €35

Square Angled Radiator Valves Chrome



EG427AJ €40

Square Angled Radiator Valves Chrome



EG251J €35

Round Angled Radiator Valves Chrome

EV-B

1/2" Radiator Pack

EV-B

1/2" Radiator Pack

TRV1

Tradit Black

TC165

16mm Decor Nickel

€73

d  
Nickel



**EV-B15AB** €219  
1/2" Bentley Thermostatic Radiator Valve & Lock-Shield Pack Antique Brass



**EV-B15AC** €219  
1/2" Bentley Thermostatic Radiator Valve & Lock-Shield Pack Antique Copper



**EV-B15BN** €219  
1/2" Bentley Thermostatic Radiator Valve & Lock-Shield Pack Black Nickel



**EV-B15C** €219  
1/2" Bentley Thermostatic Radiator Valve & Lock-Shield Pack Chrome

€73

ght  
Nickel



**EV-B15SN** €219  
1/2" Bentley Thermostatic Radiator Valve Lock-Shield Pack Silver Nickel



**EV-BG15AB** €219  
1/2" Bentley Gothic Thermostatic Radiator Valve & Lock-Shield Pack Antique Brass



**EV-BG15AC** €219  
1/2" Bentley Gothic Thermostatic Radiator Valve & Lock-Shield Pack Antique Copper



**EV-BG15SN** €219  
1/2" Bentley Gothic Thermostatic Radiator Valve & Lock-Shield Pack Silver Nickel

€73

r  
Nickel



**TRV15BN** €143  
Traditional Radiator Valve Black Nickel



**TC16C** €50  
16mm x 300mm Tails & Decorative Covers Chrome



**TC16SN** €50  
16mm x 300mm Tails & Decorative Covers Silver Nickel



**TC16BN** €50  
16mm x 300mm Tails & Decorative Covers Black Nickel

€40

or



**TC16SN** €50  
16mm x 300mm Tails & Decorative Covers Silver Nickel



**TC16AC** €50  
16mm x 300mm Tails & Decorative Covers Antique Copper



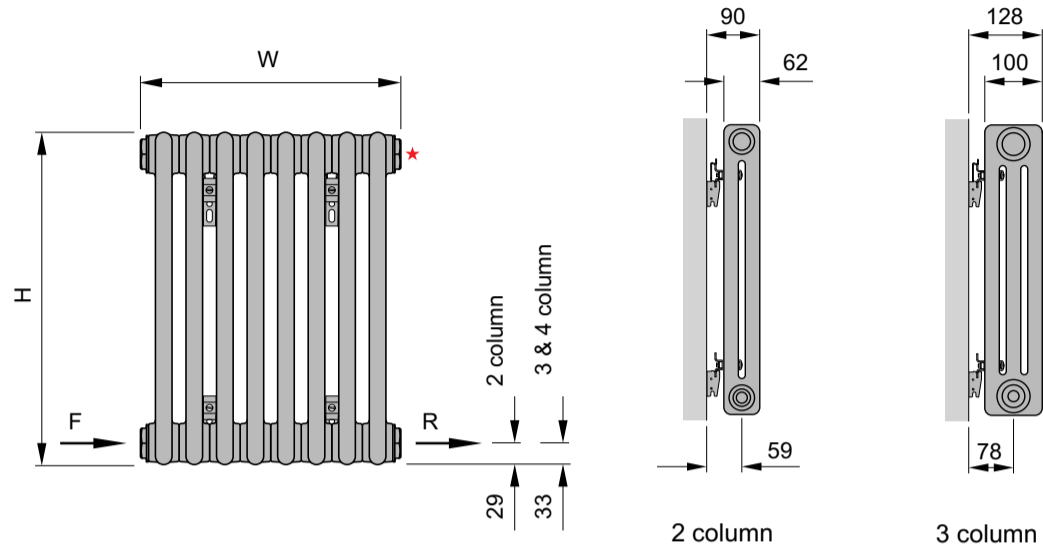
**TC16AB** €50  
16mm x 300mm Tails & Decorative Covers Antique Brass

€35

r



## REVIVE

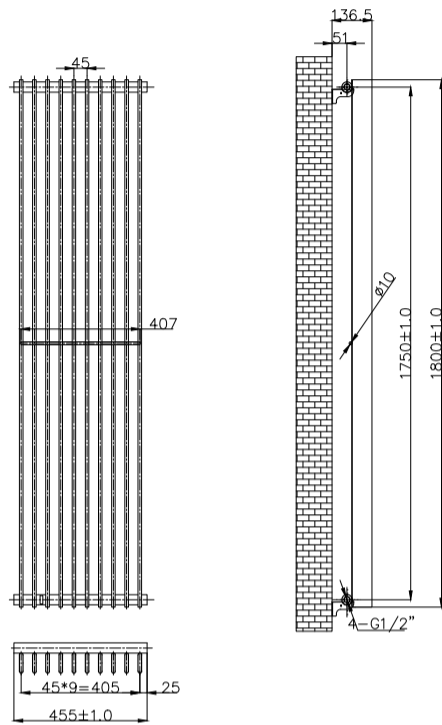


	Height (mm)	Width (mm)	BTU	Watts	Pipe Centres
U2150-8	1500	398	2839	832	488
U2180-8	1800	398	3385	992	488
U2180-10	1800	490	4231	1240	580
U2200-8	2000	398	3767	1104	488
U2200-10	2000	490	4709	1380	580
U2180-10-RM	1800	490	4231	1240	580
U2200-10-RM	2000	490	4709	1380	580
U2180-10-BK	1800	490	4231	1240	580
U2200-10-BK	2000	490	4709	1380	580
U3180-10	1800	490	5664	1660	580
U3180-10-RM	1800	490	5664	1660	580
U3200-10	2000	490	6244	1830	580
U3200-10-RM	2000	490	6244	1830	580
U3030-19	300	904	2074	608	994
U3030-25	300	1180	2730	800	1270
U3030-32	300	1502	3494	1024	1592
U3030-36	300	1686	3931	1152	1776
U3030-19-RM	300	904	2074	608	994
U3030-25-RM	300	1180	2730	800	1270
U3030-32-RM	300	1502	3494	1024	1592
U3030-36-RM	300	1686	3931	1152	1776
U3045-19	450	904	3034	889	994
U3045-25	450	1180	3992	1170	1270

	Height (mm)	Width (mm)	BTU	Watts	Pipe Centres
U3045-32	450	1502	5110	1498	1592
U3045-36	450	1686	5749	1685	1776
U3045-19-RM	450	904	3034	889	994
U3045-25-RM	450	1180	3992	1170	1270
U3045-32-RM	450	1502	5110	1498	1592
U3045-36-RM	450	1686	5749	1685	1776
U3060-9	600	440	1870	548	530
U3060-13	600	628	2701	792	718
U3060-19	600	904	3948	1157	994
U3060-25	600	1180	5195	1523	1270
U3060-32	600	1502	6649	1949	1592
U3060-36	600	1686	7480	2192	1776
U3060-9-RM	600	440	1870	548	530
U3060-13-RM	600	628	2701	792	718
U3060-19-RM	600	904	3948	1157	994
U3060-25-RM	600	1180	5195	1523	1270
U3060-32-RM	600	1502	6649	1949	1592
U3060-36-RM	600	1686	7480	2192	1776
U3060-13-BK	600	628	2701	792	718
U3060-19-BK	600	904	3948	1157	994
U3060-25-BK	600	1180	5195	1523	1270
U3060-32-BK	600	1502	6649	1949	1592
U3060-36-BK	600	1686	7480	2192	1776

# ELVA

VPR418W / VPR418A



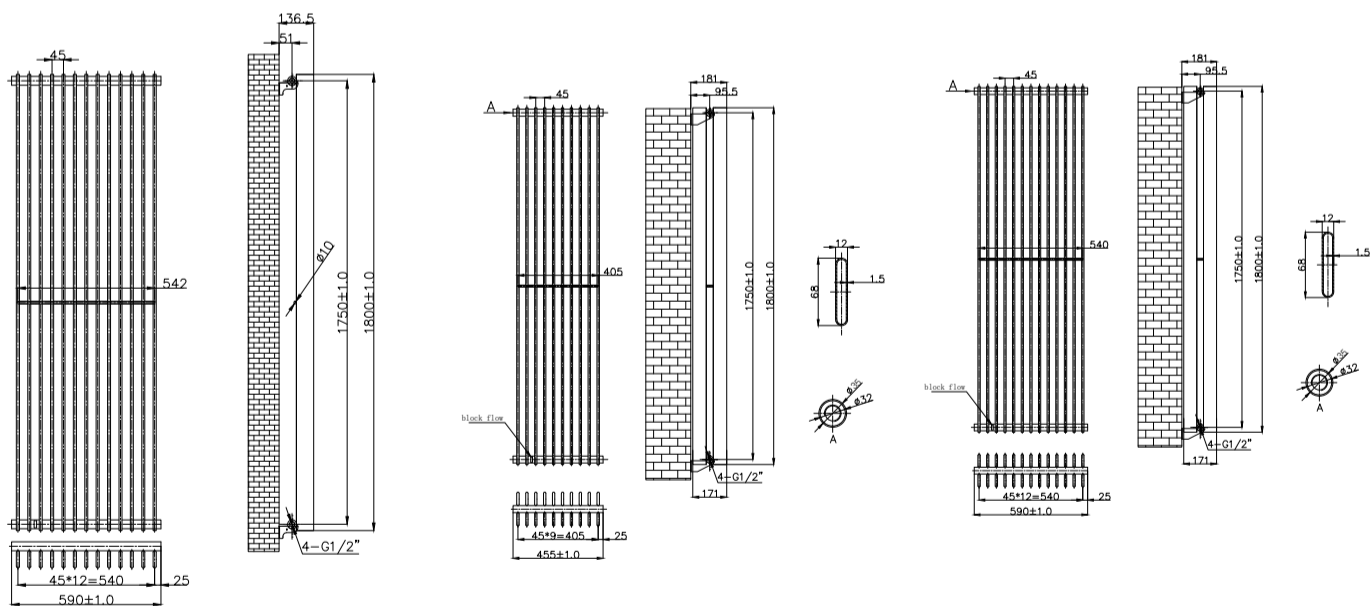
	Height (mm)	Width (mm)	BTU	Watts	Pipe Centres
VPR418W	1800	455	4327	1268	545
VPR518W	1800	590	5624	1649	680
VPR418A	1800	455	4327	1268	545
VPR518A	1800	590	5624	1649	680
VPRD418W	1800	455	8487	2488	545
VPRD518W	1800	590	11033	3234	680
VPRD418A	1800	455	8487	2488	545
VPRD518A	1800	590	11033	3234	680

VPR518W / VPR518A

VPRD418W / VPRD418A

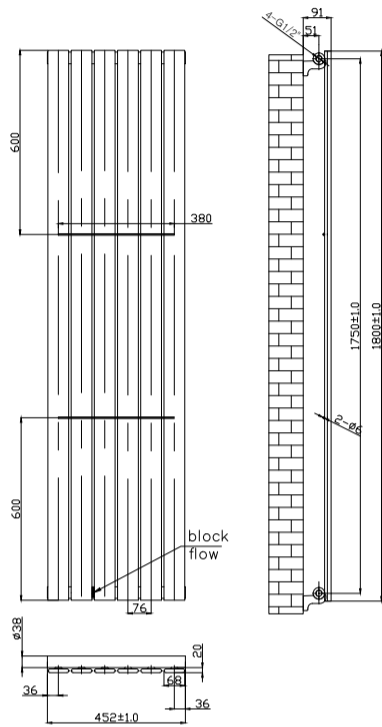
VPRD518W / VPRD518A

VFP620

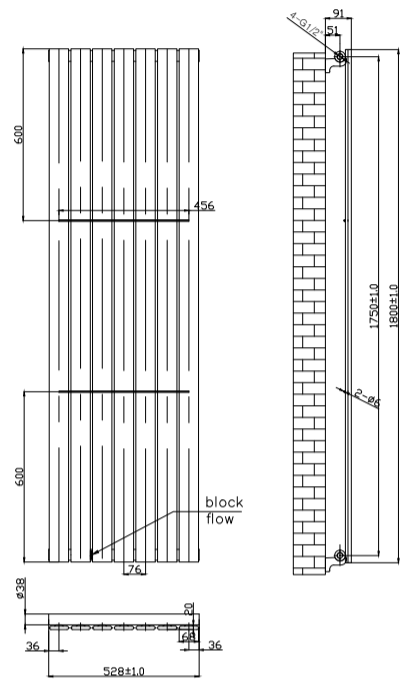


# VALERIE - SINGLE

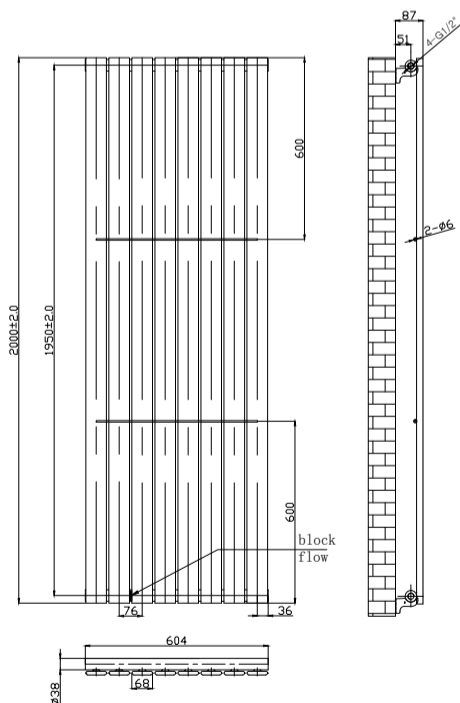
VFP418W



VFP518W



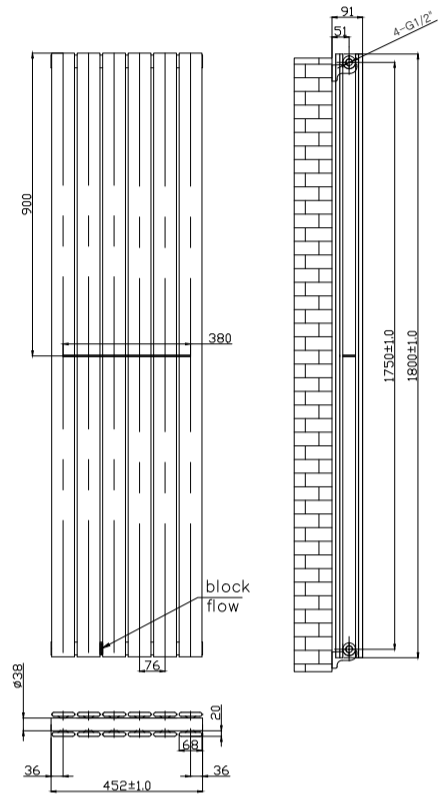
VFP620W



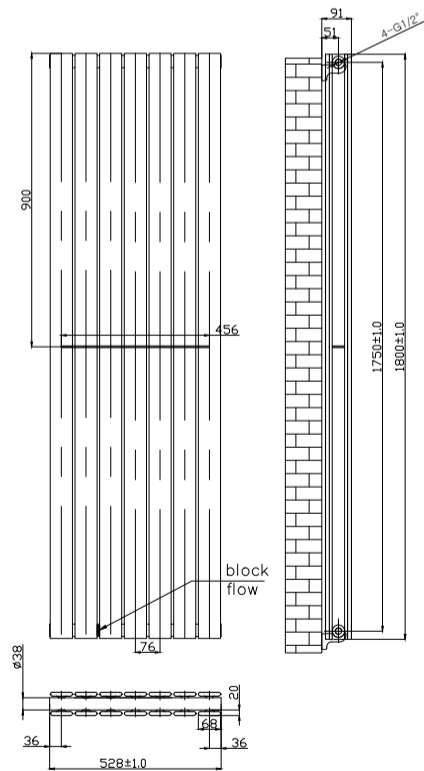
	Height (mm)	Width (mm)	BTU	Watts	Pipe Centres
VFP418W	1800	450	3253	953	540
VFP518W	1800	525	3795	1112	615
VFP620W	2000	600	4786	1403	690
VFP418A	1800	450	3253	953	540
VFP518A	1800	525	3795	1112	615
VFP620A	2000	600	4786	1403	690

## VALERIE - DOUBLE

VFP418WDP



VFP518WDP



	Height (mm)	Width (mm)	BTU	Watts	Pipe Centres
VFP418WDP	1800	452	6304	1848	542
VFP518WDP	1800	525	7354	2155	615
VFP620WDP	2000	600	8764	2569	690
VFP418ADP	1800	452	6304	1848	542
VFP518ADP	1800	525	7354	2155	615
VFP620ADP	2000	600	8764	2569	690

TOWE

TWA



TWV

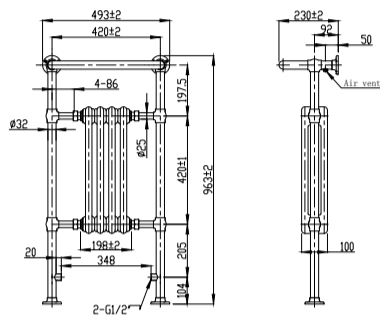
TWSKY



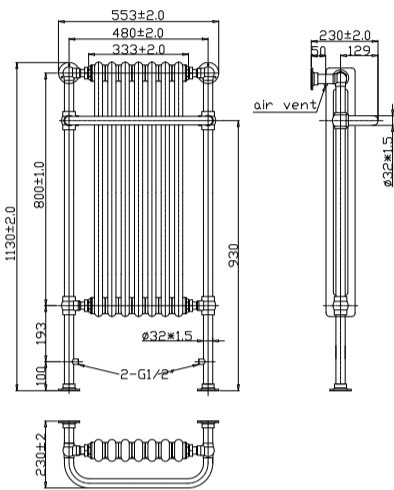


## TOWEL WARMERS

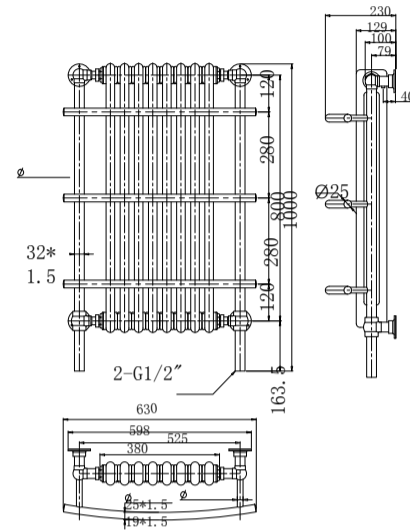
TWA



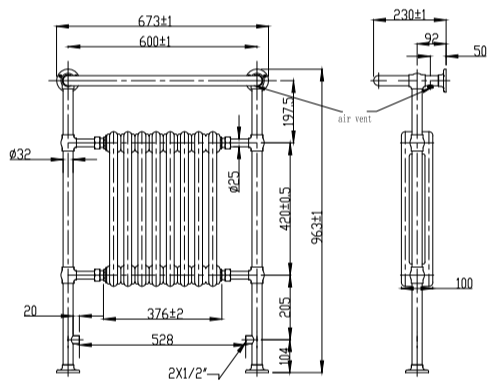
TWE



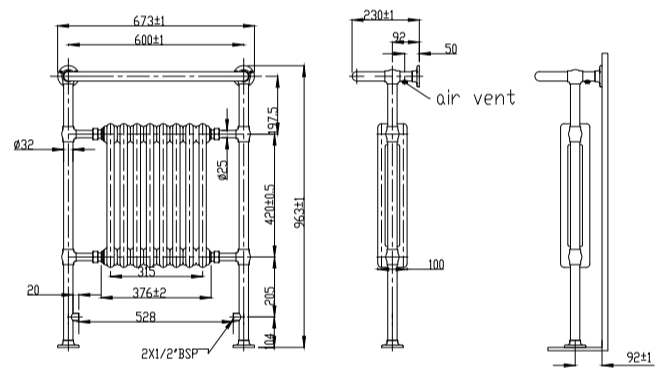
TWHTW



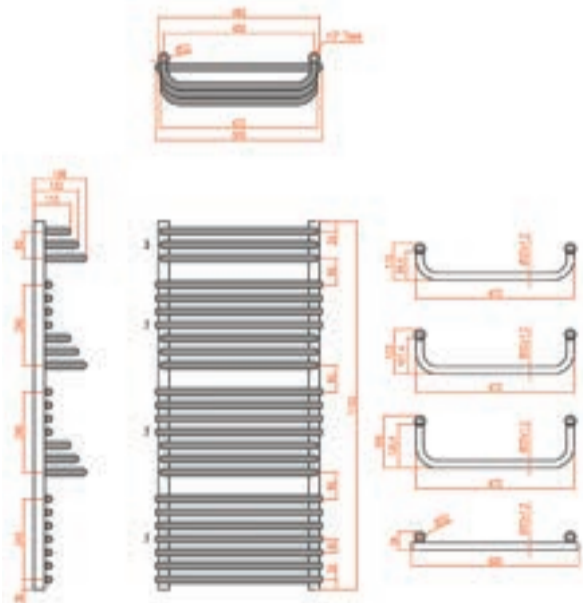
TWV



TWVBN



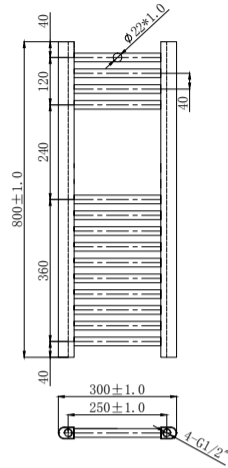
TWSKY



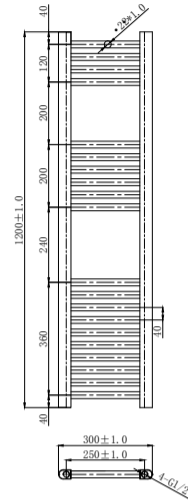
	Height (mm)	Width (mm)	BTU	Watts	Pipe Centres
TWA	963	493	2215	649	458
TWE	1130	553	3275	960	480
TWHTW	1000	630	3780	1108	525
TWV	963	675	3520	1032	953
TWVBN	963	673	3410	999	438
TWSKY	1100	500	1488	436	450

# TOWEL WARMERS

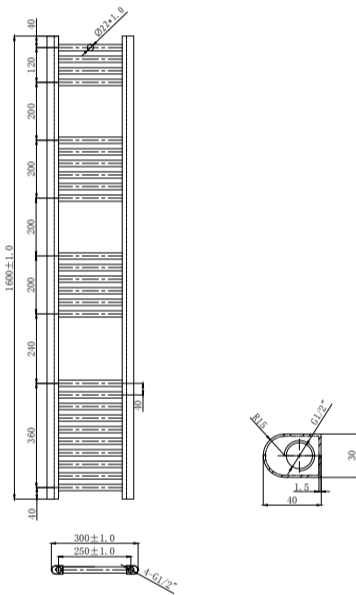
TW38S



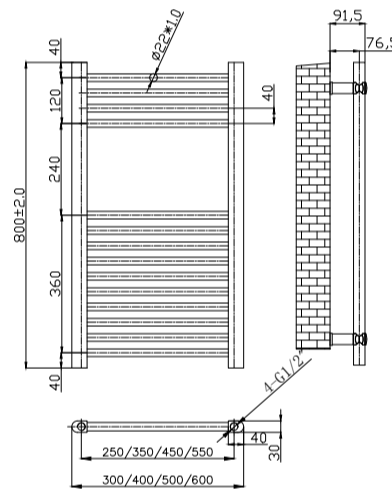
TW312S



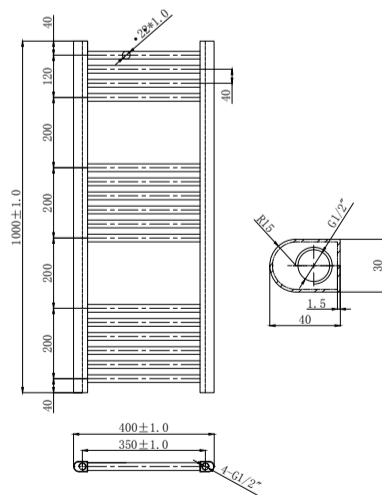
TW316S



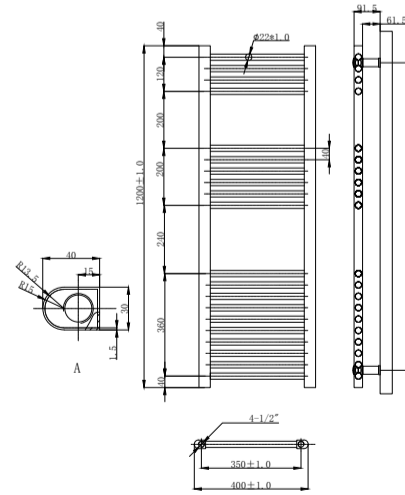
TW48S



TW410S

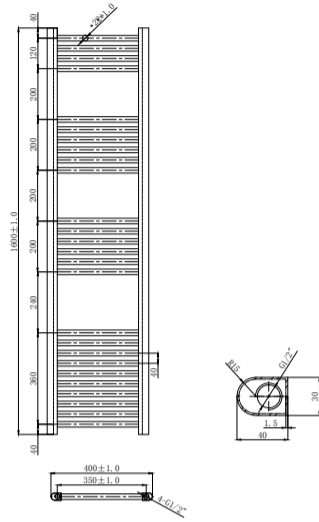


TW412S

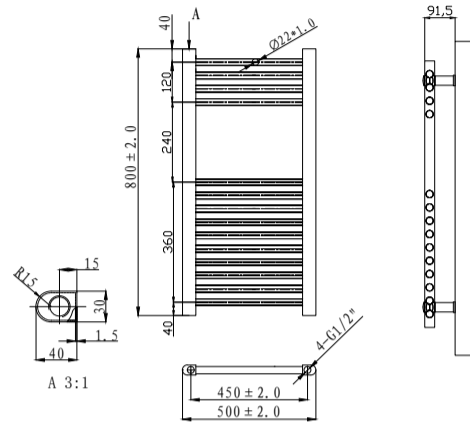


## TOWEL WARMERS

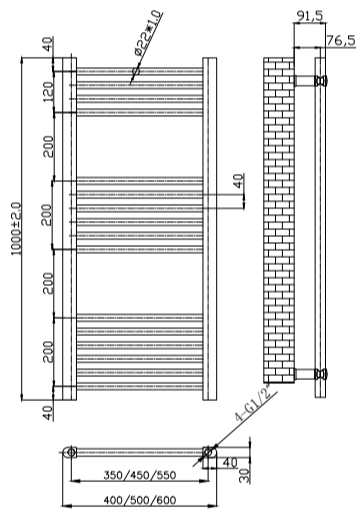
TW416S



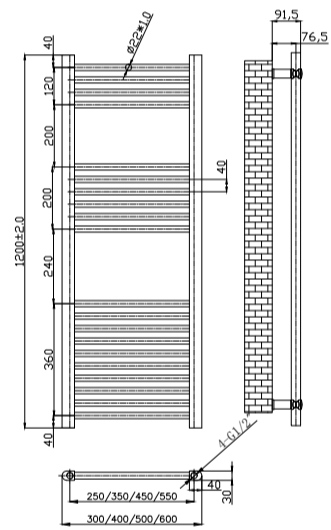
TW58S



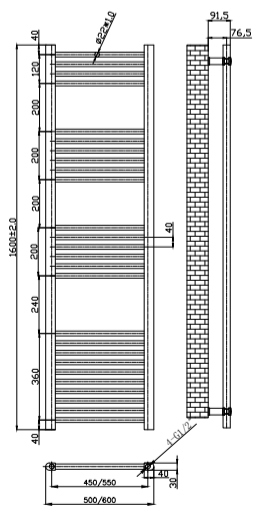
TW510S



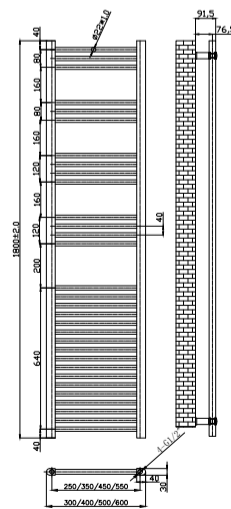
TW512S



TW516S

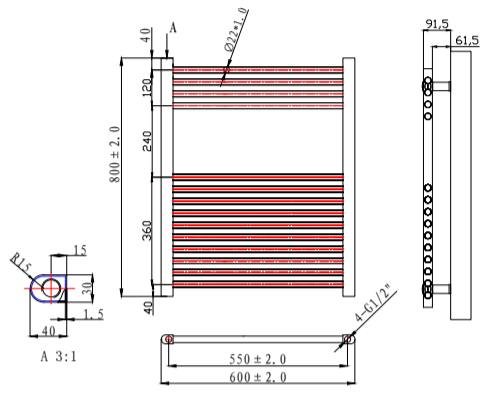


TW518S

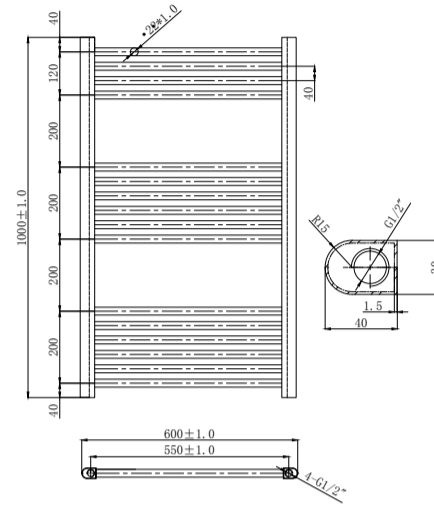


# TOWEL WARMERS

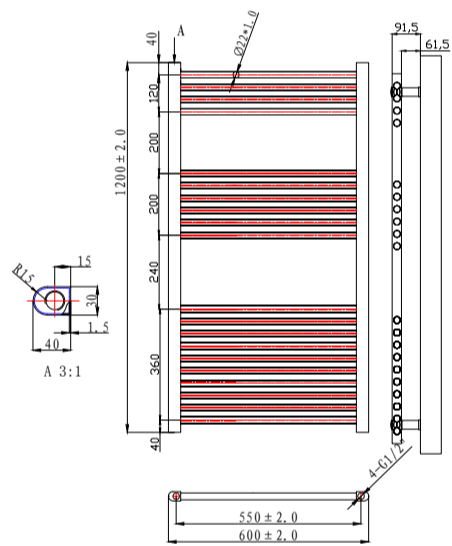
TW68S



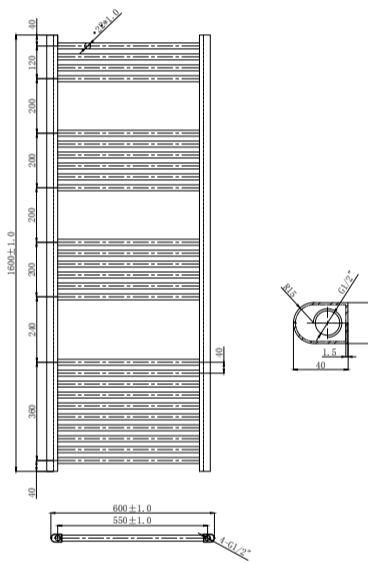
TW610S



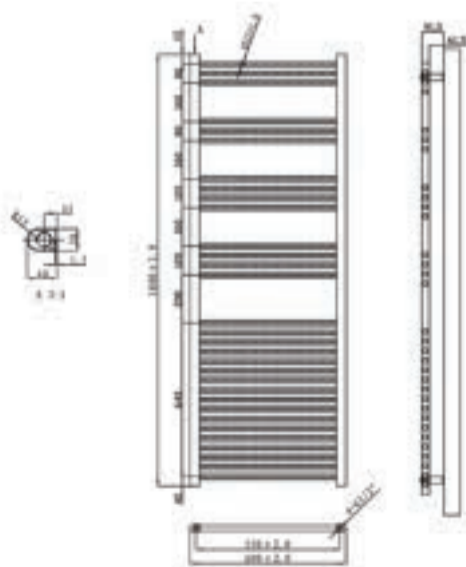
TW612S



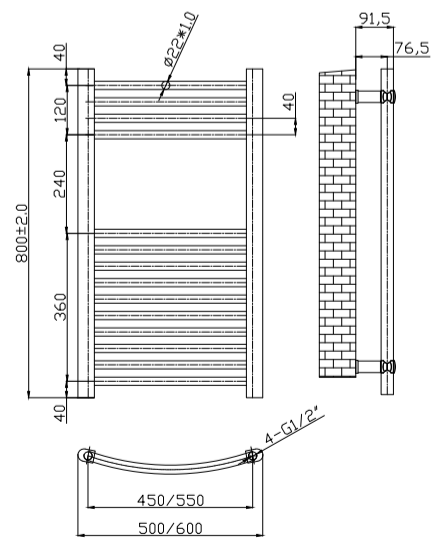
TW616S



TW618S



TW58C



# TOWEL WARMERS

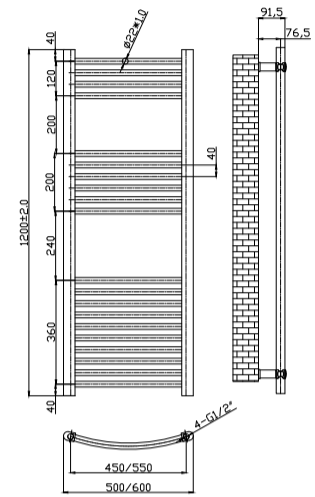
TW512C

TW68C

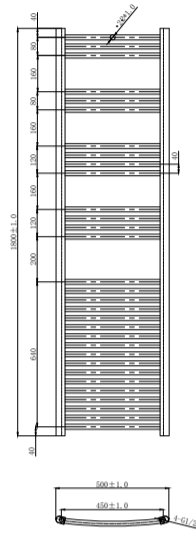
TW618C

## TOWEL WARMERS

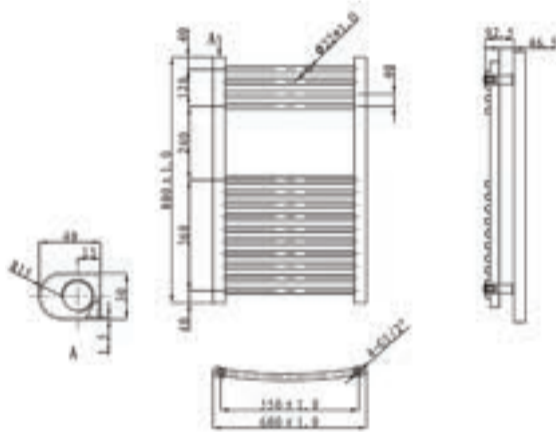
TW512C



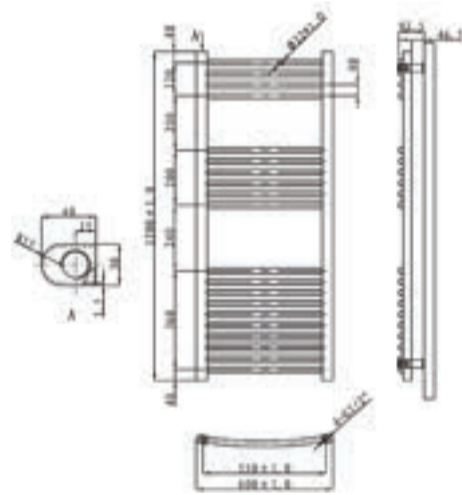
TW518C



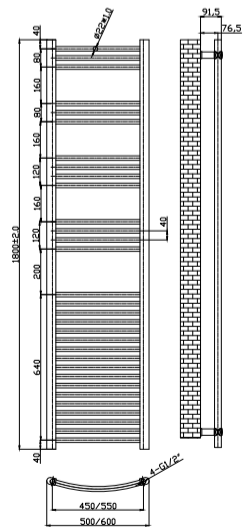
TW68C



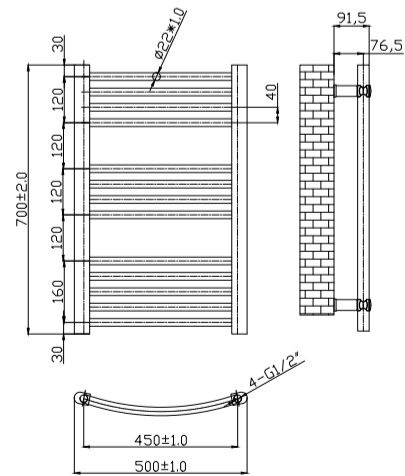
TW612C



TW618C

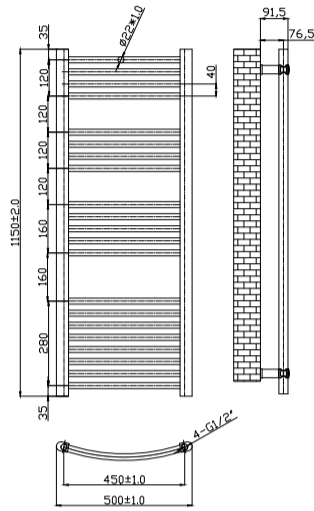


TW57C

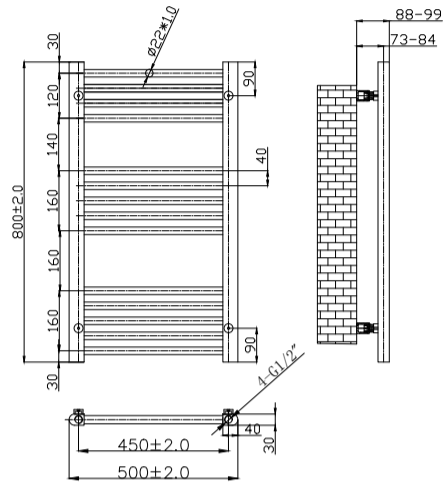


# TOWEL WARMERS

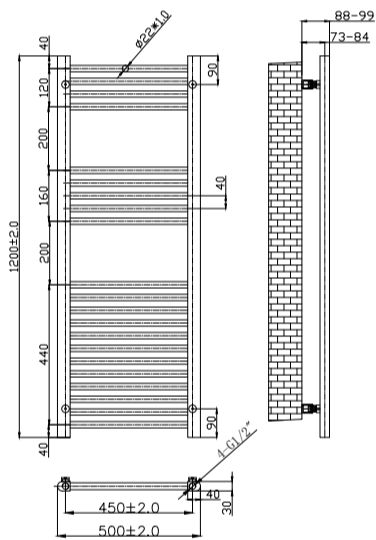
TW5115C



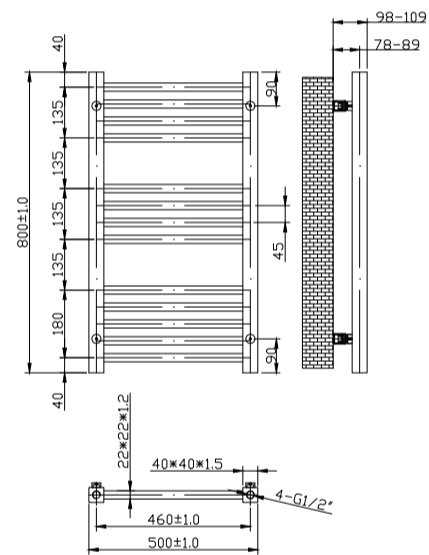
TW58SBN



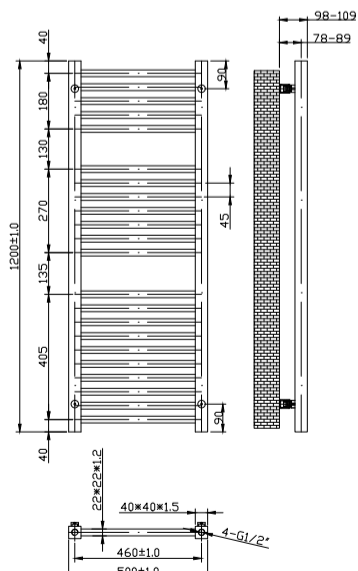
TW512SBN



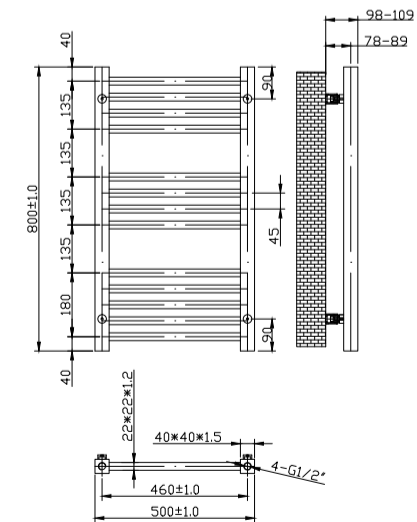
TW58SQBN



TW512SQBN

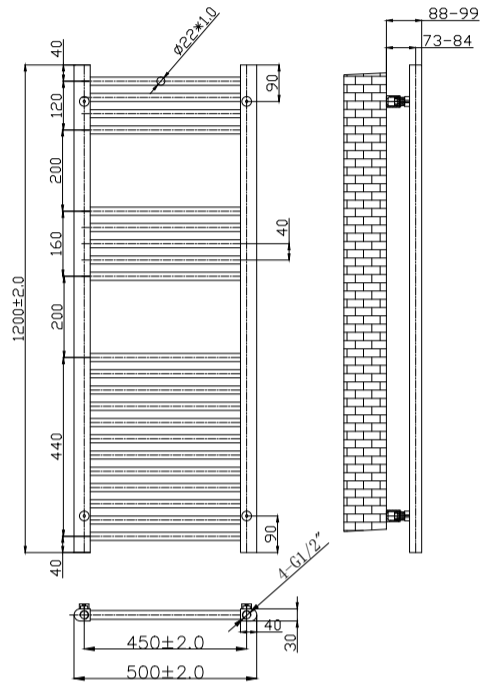


TW58SQCP



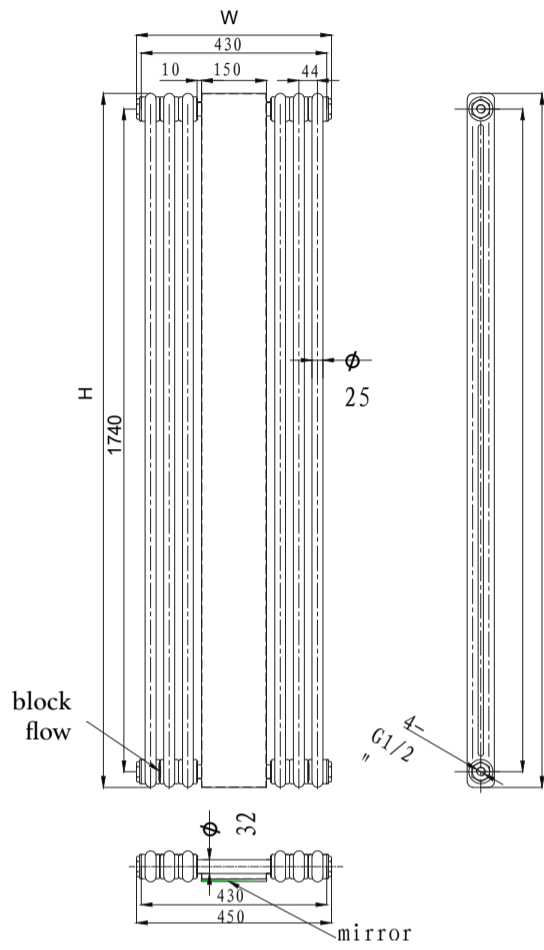
## TOWEL WARMERS

TW512SQCP



	Height (mm)	Width (mm)	BTU	Watts	Pipe Centres
TW38S	800	300	757	222	250
TW312S	1200	300	1098	322	250
TW316S	1600	300	1452	426	250
TW48S	800	400	870	255	350
TW410S	1000	400	1037	304	350
TW412S	1200	400	1262	370	350
TW416S	1600	400	1668	489	350
TW58S	800	500	1030	302	450
TW510S	1000	500	1218	357	450
TW512S	1200	500	1488	436	450
TW516S	1600	500	1965	576	450
TW518S	1800	500	2259	662	450
TW68S	800	600	1194	350	550
TW610S	1000	600	1409	413	550
TW612S	1200	600	1726	506	550
TW616S	1600	600	2279	668	550
TW618S	1800	600	2620	768	550
TW58C	800	500	1030	302	450
TW512C	1200	500	1488	436	450
TW518C	1800	500	2259	662	450
TW68C	800	600	1194	350	550
TW612C	1200	600	1726	506	550
TW618C	1800	600	2620	768	550
TW57C	700	500	1143	335	450
TW5115C	1150	500	1855	544	450
TW58SBN	800	500	1030	302	450
TW512SBN	1200	500	1488	436	450
TW58SQBN	800	500	918	269	460
TW512SQBN	1200	500	1493	438	460
TW58SQCP	800	500	918	269	460
TW512SQCP	1200	500	1493	438	460

## MARIAH



	Height (mm)	Width (mm)	BTU	Watts	Pipe Centres
DCMR418W	1800	450	3252	953	540

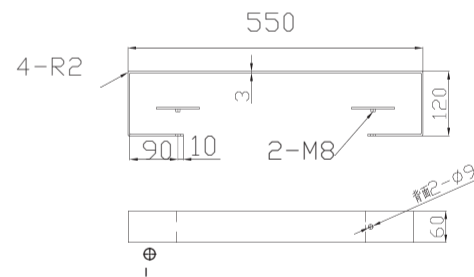
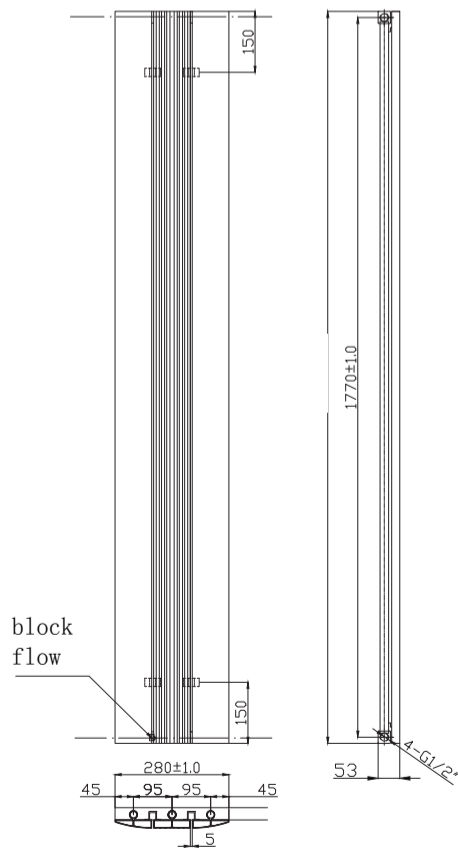
## RUA

DFP418

1810-3

DFP618

## SARA



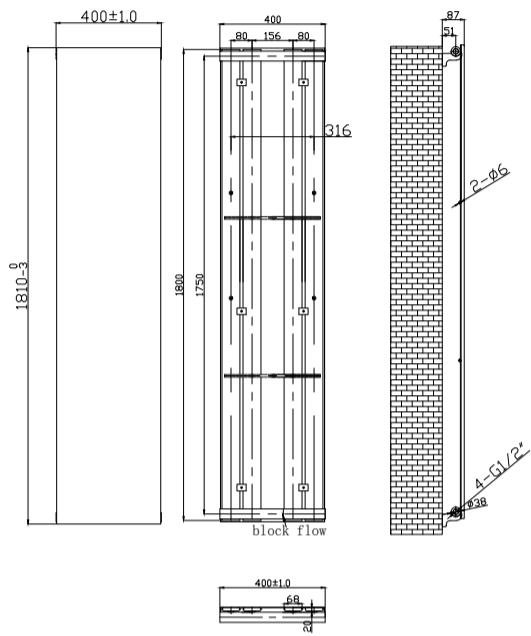
	Height (mm)	Width (mm)	BTU	Watts	Pipe Centres
VFP218W	1800	280	2475	725	370
VFP218A	1800	280	2475	725	370
VFP318W	1800	375	3300	967	465
VFP318A	1800	375	3300	967	465

1810-3

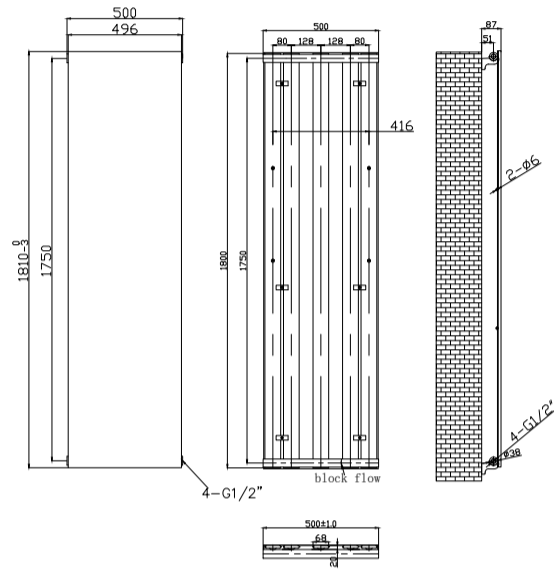


# RUA

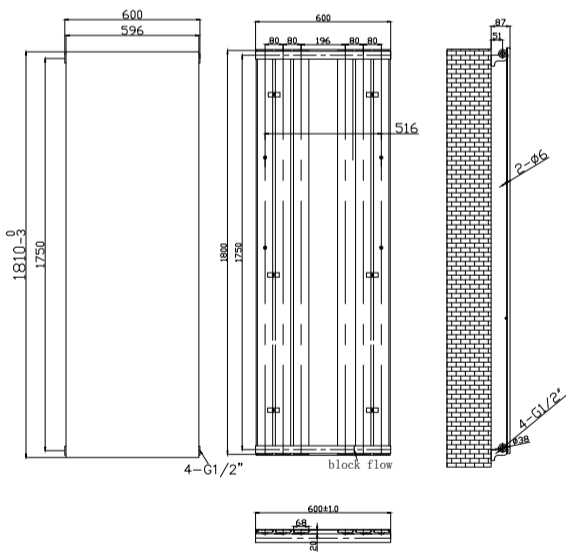
DFP418W



DFP518W



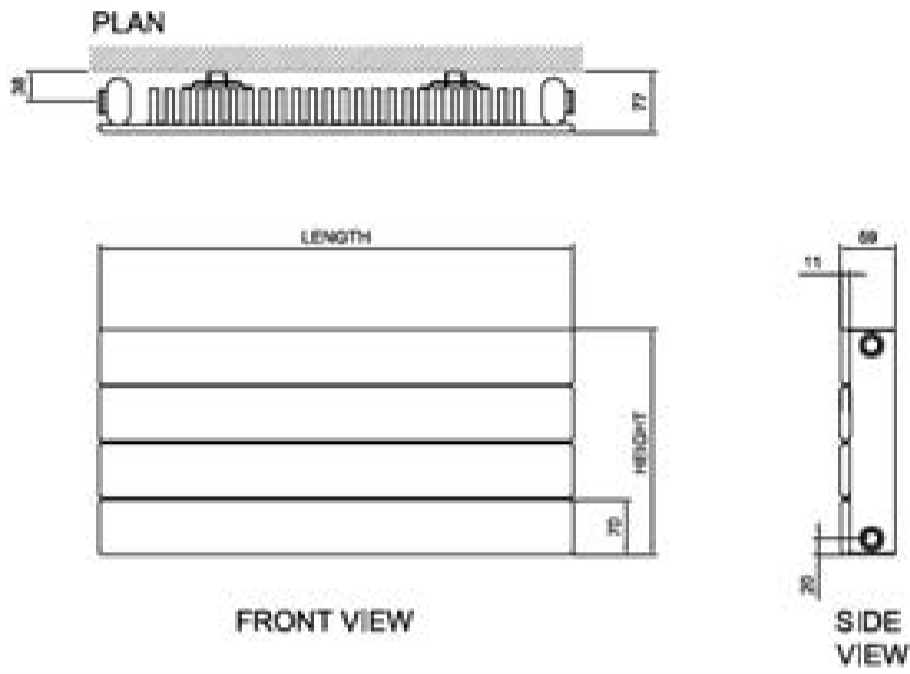
DFP618W



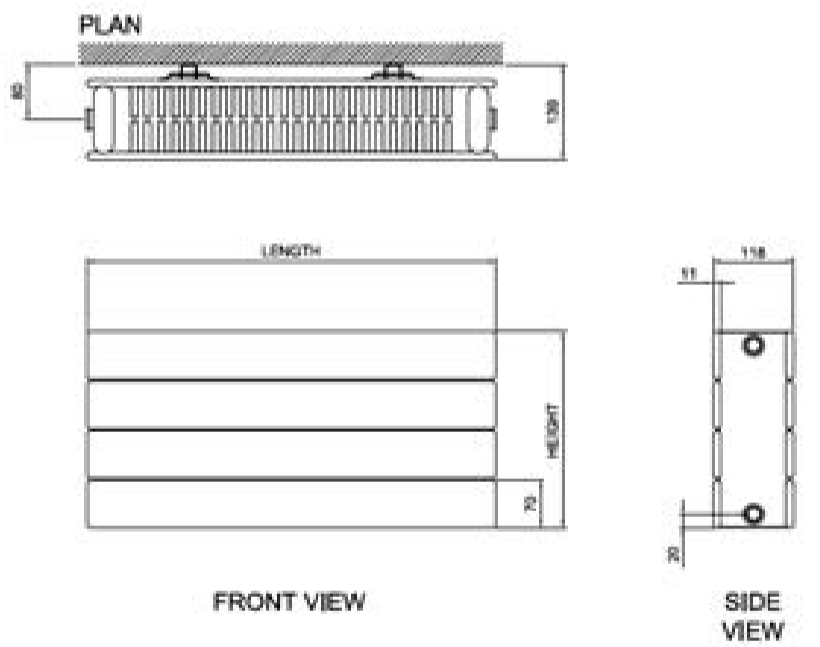
	Height (mm)	Width (mm)	BTU	Watts	Pipe Centres
DFP418W	1800	400	1979	580	490
DFP518W	1800	500	2474	725	590
DFP618W	1800	600	2969	870	690
DFP418A	1800	400	1979	580	490
DFP518A	1800	500	2474	725	590
DFP618A	1800	600	2969	870	690

## IMAS DECOR

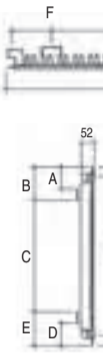
### IMAS DECOR SINGLE



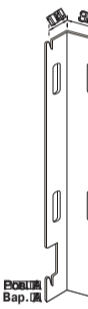
### IMAS DECOR DOUBLE



## IMAS



Standard b



EN 442

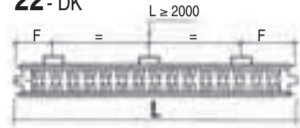
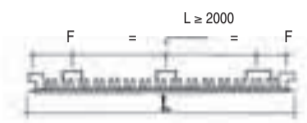
MOD.  
Мод.

ASSOT23-0

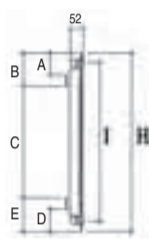
ASSOT23-

# IMAS

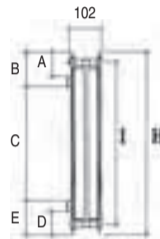
## 22-DK



## ANCHORING SYSTEMS



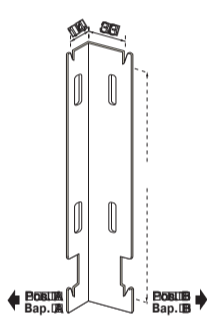
H mm	I mm	A mm	B mm	C mm	D mm	E mm	F mm
300	250	85	110	110	55	80	135
400	350	85	110	150	115	140	135
500	450	85	110	250	115	140	135
600	550	85	110	350	115	140	135
800	750	85	110	550	115	140	135
900	850	85	110	650	115	140	135



H mm	I mm	A mm	B mm	C mm	D mm	E mm	F mm
300	250	85	110	110	55	80	100
400	350	85	110	150	115	140	100
500	450	85	110	250	115	140	100
600	550	85	110	350	115	140	100
800	750	85	110	550	115	140	100
900	850	85	110	650	115	140	100

	п° держателя
400 ÷ 1800	4
2000 ÷ 3000	6

### Standard brackets included in the packing



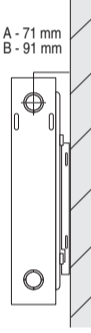
Pos. / Бар. А - 36 mm  
Pos. / Бар. В - 56 mm

Мод.



Pos. / Бар. А - 71 mm  
Pos. / Бар. В - 91 mm

Мод.



## EN 442 Δ

MOD. Мод.	L H	Length (mm)											
		400	500	600	700	800	900	1000	1200	1400	1600	1800	2000
ASSOT23-03	400	281	352	422	492	562	633	703	844	984	1125	1265	1406
	500	334	418	502	585	669	752	836	1003	1170	1338	1505	1672
	600	386	483	580	676	773	869	966	1159	1352	1546	1739	1932
ASSOT23-05	300	390	488	585	683	780	878	975	1170	1365	1560	1755	1950
	400	498	623	747	872	996	1121	1245	1494	1743	1992	2241	2490
	500	601	751	901	1051	1202	1352	1502	1802	2103	2403	2704	3004
	600	722	903	1084	1264	1445	1625	1806	2167	2528	2890	3251	3612

H. 900 available end of year 2010

Room Temp. Темп. среды Темп. zraka (°C)	Height Высота Višina (mm)	Length - Длина - Dolžina (mm)											
		400	500	600	700	800	900	1000	1200	1400	1600	1800	2000
		<b>15 °C</b> (Δt = 65)	400	394	492	591	689	788	886	985	1182	1379	1576
	500	469	586	704	821	938	1055	1173	1407	1642	1876	2111	2345
	600	544	680	816	953	1089	1225	1361	1633	1905	2177	2449	2722
<b>18 °C</b> (Δt = 62)	400	371	463	556	649	741	834	927	1112	1297	1482	1668	1853
	500	441	552	662	772	883	993	1103	1324	1545	1765	1986	2207
	600	512	640	767	895	1023	1151	1279	1535	1791	2047	2302	2558
<b>20 °C</b> (Δt = 60)	400	355	444	533	622	711	799	888	1066	1243	1421	1599	1776
	500	423	529	635	740	846	952	1058	1269	1481	1692	1904	2115
	600	490	613	735	858	980	1103	1225	1470	1715	1961	2206	2451
<b>22 °C</b> (Δt = 58)	400	340	425	510	595	680	765	850	1020	1190	1360	1530	1700
	500	405	506	607	709	810	911	1012	1215	1417	1620	1822	2025
	600	469	586	703	820	938	1055	1172	1407	1641	1875	2110	2344
<b>24 °C</b> (Δt = 56)	400	325	406	488	569	650	731	813	975	1138	1300	1463	1625
	500	387	484	581	677	774	871	968	1161	1355	1548	1742	1935
	600	448	560	672	784	896	1008	1119	1343	1567	1791	2015	2239

Room Temp. Темп. среды Темп. zraka (°C)	Height Высота Višina (mm)	Length (mm)											
		400	500	600	700	800	900	1000	1200	1400	1600	1800	2000
		<b>15 °C</b> (Δt = 47,5)	400	263	329	394	460	526	592	657	789	920	1052
	500	313	391	469	548	626	704	782	939	1095	1252	1408	1565
	600	361	451	541	632	722	812	902	1083	1263	1444	1624	1805
<b>18 °C</b> (Δt = 44,5)	400	242	302	363	423	484	544	605	726	847	968	1089	1210
	500	288	360	432	504	575	647	719	863	1007	1151	1295	1439
	600	331	414	497	580	663	746	828	994	1160	1325	1491	1657
<b>20 °C</b> (Δt = 42,5)	400	228	285	342	399	456	513	570	684	798	912	1027	1141
	500	271	339	407	475	542	610	678	813	949	1085	1220	1356
	600	312	390	468	546	624	702	780	936	1092	1248	1404	1560
<b>22 °C</b> (Δt = 40,5)	400	214	268	322	375	429	483	536	643	751	858	965	1072
	500	255	319	382	446	510	573	637	764	892	1019	1147	1274
	600	293	366	439	513	586	659	732	879	1025	1172	1318	1464
<b>24 °C</b> (Δt = 38,5)	400	201	251	302	352	402	452	503	603	704	804	905	1005
	500	239	298	358	418	477	537	597	716	835	955	1074	1193
	600	274	343	411	480	548	617	685	822	959	1096	1233	1370

Room Temp. Темп. среды Temp. zraka (°C)	Height Высота Višina (mm)	Length (mm)											
		400	500	600	700	800	900	1000	1200	1400	1600	1800	2000
		<b>15 °C</b> (Δt = 65)	300	-	-	826	963	1101	1239	1376	1652	1927	2202
400	-	-	1044	1218	1392	1566	1740	2089	2437	2785	3133	3481	
500	852	1065	1278	1490	1703	1916	2129	2555	2981	3407	3833	4258	
600	1033	1291	1549	1808	2066	2324	2582	3099	3615	4131	4648	5164	
<b>18 °C</b> (Δt = 62)	300	-	-	776	906	1035	1164	1294	1552	1811	2070	2329	2587
400	-	-	981	1145	1308	1472	1635	1962	2289	2616	2943	3270	
500	800	1000	1200	1400	1600	1800	1999	2399	2799	3199	3599	3999	
600	969	1211	1454	1696	1938	2180	2423	2907	3392	3876	4361	4845	
<b>20 °C</b> (Δt = 60)	300	-	-	744	868	991	1115	1239	1487	1735	1983	2231	2479
400	-	-	940	1096	1253	1409	1566	1879	2192	2506	2819	3132	
500	766	957	1149	1340	1531	1723	1914	2297	2680	3063	3446	3828	
600	927	1159	1391	1622	1854	2086	2318	2781	3245	3708	4172	4635	
<b>22 °C</b> (Δt = 58)	300	-	-	711	830	948	1067	1185	1423	1660	1897	2134	2371
400	-	-	898	1048	1198	1348	1497	1797	2096	2396	2695	2995	
500	732	915	1098	1281	1464	1647	1830	2196	2562	2928	3294	3660	
600	886	1107	1328	1550	1771	1993	2214	2657	3100	3542	3985	4428	
<b>24 °C</b> (Δt = 56)	300	-	-	679	793	906	1019	1132	1359	1585	1812	2038	2264
400	-	-	858	1001	1144	1287	1430	1716	2001	2287	2573	2859	
500	699	873	1048	1222	1397	1572	1746	2096	2445	2794	3143	3493	
600	845	1056	1267	1478	1689	1900	2112	2534	2956	3378	3801	4223	

Room Temp. Темп. среды Temp. zraka (°C)	Height Высота Višina (mm)	Length (mm)											
		400	500	600	700	800	900	1000	1200	1400	1600	1800	2000
		<b>15 °C</b> (Δt = 47,5)	300	-	-	548	639	730	821	913	1095	1278	1460
400	-	-	690	805	920	1035	1150	1380	1611	1841	2071	2301	
500	561	701	842	982	1122	1263	1403	1684	1964	2245	2525	2806	
600	676	845	1014	1184	1353	1522	1691	2029	2367	2705	3043	3382	
<b>18 °C</b> (Δt = 44,5)	300	-	-	503	586	670	754	838	1005	1173	1341	1508	1676
400	-	-	633	739	844	950	1055	1267	1478	1689	1900	2111	
500	515	643	772	900	1029	1158	1286	1544	1801	2058	2315	2573	
600	619	774	929	1084	1239	1393	1548	1858	2168	2477	2787	3096	
<b>20 °C</b> (Δt = 42,5)	300	-	-	473	552	631	710	789	947	1104	1262	1420	1578
400	-	-	596	695	795	894	993	1192	1391	1589	1788	1987	
500	484	605	726	847	968	1089	1210	1452	1694	1936	2178	2420	
600	582	728	873	1019	1164	1310	1455	1746	2037	2328	2619	2910	
<b>22 °C</b> (Δt = 40,5)	300	-	-	444	518	592	667	741	889	1037	1185	1333	1481
400	-	-	559	652	746	839	932	1119	1305	1491	1678	1864	
500	454	567	681	794	908	1021	1135	1362	1589	1816	2043	2270	
600	545	682	818	954	1091	1227	1363	1636	1909	2181	2454	2727	
<b>24 °C</b> (Δt = 38,5)	300	-	-	416	485	554	624	693	832	970	1109	1247	1386
400	-	-	523	610	697	785	872	1046	1221	1395	1569	1744	
500	424	530	637	743	849	955	1061	1273	1485	1698	1910	2122	
600	509	637	764	891	1019	1146	1273	1528	1783	2037	2292	2547	
800	6												
900	6												

EN 442 Δ

H. 900 available end of year 2010

MOD. Мод.	H	Length (mm)											
		400	500	600	700	800	900	1000	1200	1400	1600	1800	2000
ASSOT23-03	400	281	352	422	492	562	633	703	844	984	1125	1265	1406
	500	334	418	502	585	669	752	836	1003	1170	1338	1505	1672
	600	386	483	580	676	773	869	966	1159	1352	1546	1739	1932
ASSOT23-05	300	390	488	585	683	780	878	975	1170	1365	1560	1755	1950
	400	498	623	747	872	996	1121	1245	1494	1743	1992	2241	2490
	500	601	751	901	1051	1202	1352	1502	1802	2103	2403	2704	3004
	600	722	903	1084	1264	1445	1625	1806	2167	2528	2890	3251	3612

WATER CONTENT, WEIGHT AND SURFACE (COATABLE) PER METER

Mod.	Height							
<b>11</b>	Water content (l)	2,33	2,40	2,70	3,88	4,00	5,66	
	Weight (kg)	8,60	10,48	13,46	16,80	22,76	24,86	
	Surface (m <sup>2</sup> )	1,21	2,21	3,20	4,19	5,19	7,16	
<b>22</b>	Water content (l)	4,66	4,80	5,40	7,76	8,00	11,02	
	Weight (kg)	17,20	20,96	25,85	32,50	43,59	48,43	
	Surface (m <sup>2</sup> )	2,43	4,41	6,39	8,37	10,35	14,37	







**NOTES**

A series of horizontal lines providing a space for notes, spanning the width of the page below the 'NOTES' header.

NIKO  
HEATING



**Uppercross Enterprises Limited**

Broomhill Business Complex,  
Broomhill Road,  
Tallaght,  
Dublin 24  
D24VP80

**E:** [sales@uel.ie](mailto:sales@uel.ie) [www.uel.ie](http://www.uel.ie)